

G-18L Ku-/Ka-band portable terminal

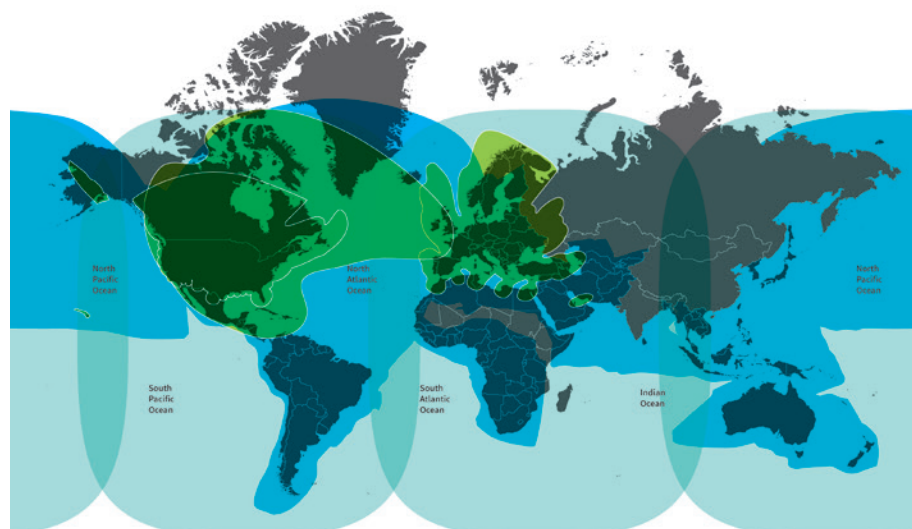
Hybrid satellite integrated terminal for mobility

Viasat's fully integrated G-18L Ku-/Ka-band portable terminal allows users access to high-speed connectivity within minutes on any vehicle or vessel, anywhere in the world. The 80 lb. portable terminal comes with permanent magnet mounts to hold it to a ship deck or vehicle roof with no mounting provisions or installation. Users simply set it down, engage the magnets, provide power, and get a connection within 10 minutes. The antenna tracks GEO, MEO, and LEO orbits from a platform that is in motion or stationary and is self-aligning, requiring no user intervention.

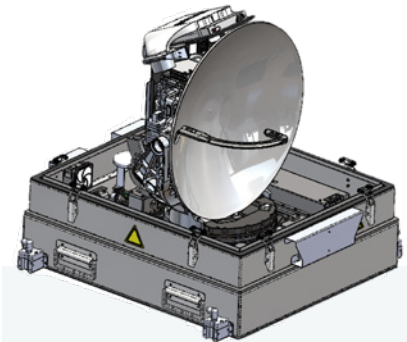
The antenna's Ku-band and Ka-band built-in feeds and RF electronics automatically connect to Viasat's worldwide high-speed network, accessing the best available Ku- or Ka-band satellite for a given location.

Compatible networks

- › Viasat worldwide Ku-band network
- › Viasat Ka-band high-capacity network



Coverage is approximate and subject to change.



G-18L portable Ku-/Ka-band terminal at-a-glance

PRIMARY APPLICATIONS

- › RORO maritime communications
- › Expeditionary force quick reaction
- › Satellite backhaul for radio in portable package
- › COTM / NOTM / COTP land mobile (improved roads)
- › Landing zone link-16 satellite backhaul
- › MedEvac/telemedicine
- › Search & rescue
- › Disaster recovery LTE satcom backhaul
- › Roadside checkpoint video & communications

HIGH-SPEED CONNECTIVITY

- › Supports the full ITU Ka-band spectrum to maximize operational flexibility, throughput, and capacity
- › Ku-band offers worldwide coverage, resiliency, and fail-over

MISSION SETS

- › Wireless Wi-Fi router
- › LTE radio
- › Link-16 radio
- › TrellisWare radio
- › 5 hour battery
- › 12V DC input
- › Concealed and operational inside roller-case

G-18L Ku-/Ka-band portable terminal

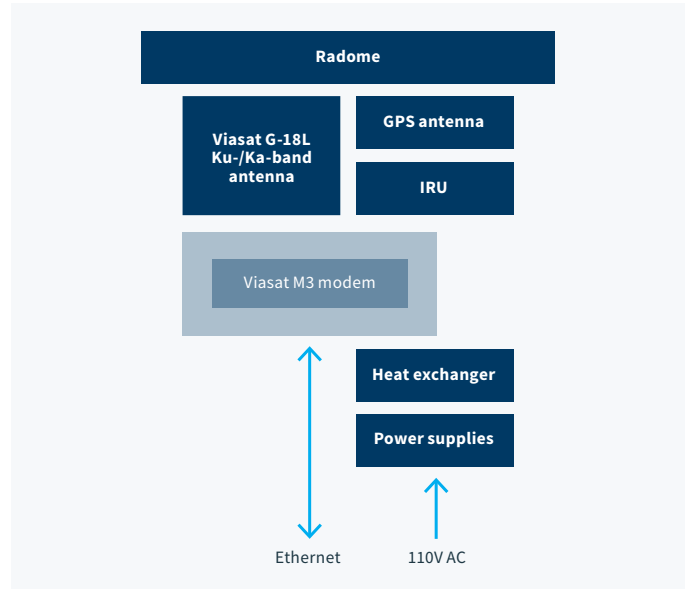
Specifications

ANTENNA

Waveforms	Viasat ArcLight®, ViaSat-1, ViaSat-2, ViaSat-3
Typical data rates	<ul style="list-style-type: none">› 50 × 15 Mbps ViaSat-3› 30 × 3 Mbps ViaSat-2› 20 × 3 Mbps ViaSat-1› 10 × 1 Mbps Viasat Ku-band network
Mounting	Permanent magnet mount in 4 corners, 320 lbs pull capacity
Elevation coverage	0° to 90°
Azimuth coverage	0° to 360°
Power consumption	500 W max., 110 VAC input (12 VDC option)
Dimensions (W × D × H)	25 in × 25 in × 27 in
Weight	80 lb.; 36.3 kg
Operating temperature	-40°C to +55°C
Water seal	IP-65
Startup time	Less than 10 minutes
Tracking accuracy	0.3° for vehicle motion of less than 10°/sec up to 75° elevation look angle

QUALIFICATIONS/CERTIFICATIONS

Environmental/EMC	› RTCA/DO-160G
--------------------------	----------------



Global headquarters

6155 El Camino Real, Carlsbad, CA 92009-1699, USA

Sales

TEL +1 888 842 7281 (US Toll Free)
+1 678 924 2400

EMAIL VASTsales@viasat.com

WEB viasat.com/antenna-systems

