



Leveraging a full-duplex architecture and four or eight I/O port configurations, the Viasat RT-1830(P)/S single UHF channel terminal provides SATCOM connectivity for an entire shore station or other benign environments. This terminal reduces the size, weight, and power of UHF communication equipment by streamlining functionality traditionally requiring multiple radios, and reduces RF multiplexing, configuration, and management challenges. The terminal allows a single control or management interface to operate multiple voice and data communications simultaneously and independently.

This terminal is Joint Interoperability Test Command (JITC)-assessed and NSA-certified to comply with legacy Demand Assigned Multiple Access (DAMA) MIL-STDs and interoperate with fielded UHF SATCOM terminals. When combined with an external 250 watt power amplifier, LNA/diplexer, and antenna, the Viasat RT-1830(P)/S terminal creates a complete low-cost UHF SATCOM system.

To support the growing demand for capacity, optimize channel performance, and provide backwards DAMA interoperability, this terminal is Integrated Waveform (IW) certification ready. With IW capability, the Viasat RT-1830(P)/S provides voice communication for additional users, enables communication access to be tailored to individual operational needs, and reduces transmit/receive contention. Under contract with the Defense Information Systems Agency (DISA), Viasat has successfully installed and tested IW UHF network control stations around the world.

VIASAT RT-1830(P)/S AT-A-GLANCE

- » JITC assessed & NSA certified
- » CE and UKCA compliant
- » Full-duplex RF channel
- » 4 or 8 serial I/O ports
- » 3U rack mountable
- » Single HMI configuration
- » Replacement for legacy terminals:
 - AN/WSC-3
 - MD-1324
 - TD-1271
 - AN/USC-54 (VICS)

Viasat RT-1830(P)/S Shore Station UHF Terminal

SPECIFICATIONS

INTERFACES

Compatible Serial	I/O RS-422/23, RS-232, MIL-STD-188-114
Compatible COMSEC	ANDVT AN/USC-43, KY-99A, KY-100, KY-58, KG-84A/C, KIV-7 and others
Keyfill	DS-101, DS-102
UHF	
» RX	243 to 270 MHz, 50 Ohms
» TX	292 to 318 MHz, 50 Ohms
Frequency Ref Input and Output	1, 5, or 10 MHz; 0 dBm
Remote Control	Ethernet (Local PC)
HPA Control	Keyline
Power Source	120/240 VAC, 50/60 Hz 168 W max

PHYSICAL CHARACTERISTICS

3 Rack Units	Standard 19-in. Rack
Depth	24.5 in.
Weight	<50 lb.

ENVIRONMENTAL/EMI

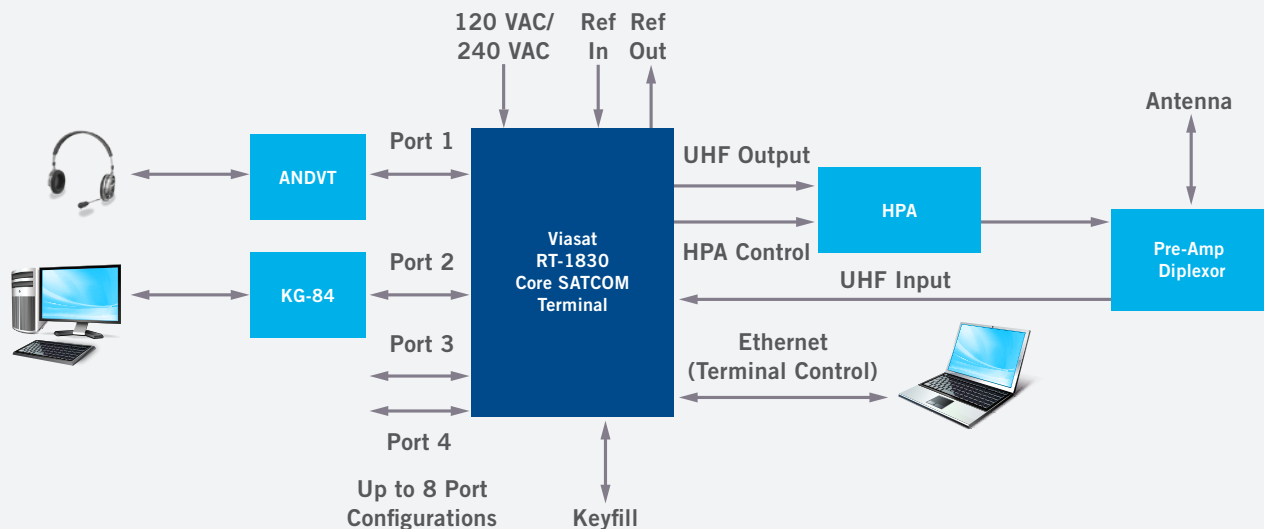
Operation Temperature	0° to +50°C
Altitude (Storage and Transportation)	0 to 15,000 ft.
Humidity	95%, non-condensing
Cooling	Integrated fans
EMI	MIL-STD-461F/EN55032/EN55035
Vibration	MIL-STD-810G (ground and air transportation)
Electrical Safety	IEC 62368-1

WAVEFORM CAPABILITIES

» MIL-STD-188-181B	Dedicated
» MIL-STD-188-181C	IW
» MIL-STD-188-182A	5 kHz DAMA
» MIL-STD-188-182B	IW
» MIL-STD-188-183-	25 kHz DAMA
» MIL-STD-188-183B	IW

CERTIFICATIONS

- » JITC assessed for IW, DAMA, and Dedicated
- » NSA certified for Sensitive but Unclassified orderwire processing
- » CE/UKCA compliant. Meets standards for Information and Communication Technology Equipment



CONTACT

SALES

EMAIL insidesales@viasat.com
TEL +1 888 VIASAT1 (842 7281) (US Toll Free)
+1 760 476 4755
FAX +1 760 683 6815

TECHNICAL SUPPORT

EMAIL noc.carlsbad@viasat.com
TEL +1 888 272 7232 (US Toll Free)
+1 760 476 2600 (International)

